



# LEFROY BROOKS

IBROC HOUSE ESSEX ROAD  
HODDESDON HERTS EN11 0QS UK  
T: +44 (0)1992 708 316 F: +44 (0)1992 708 317

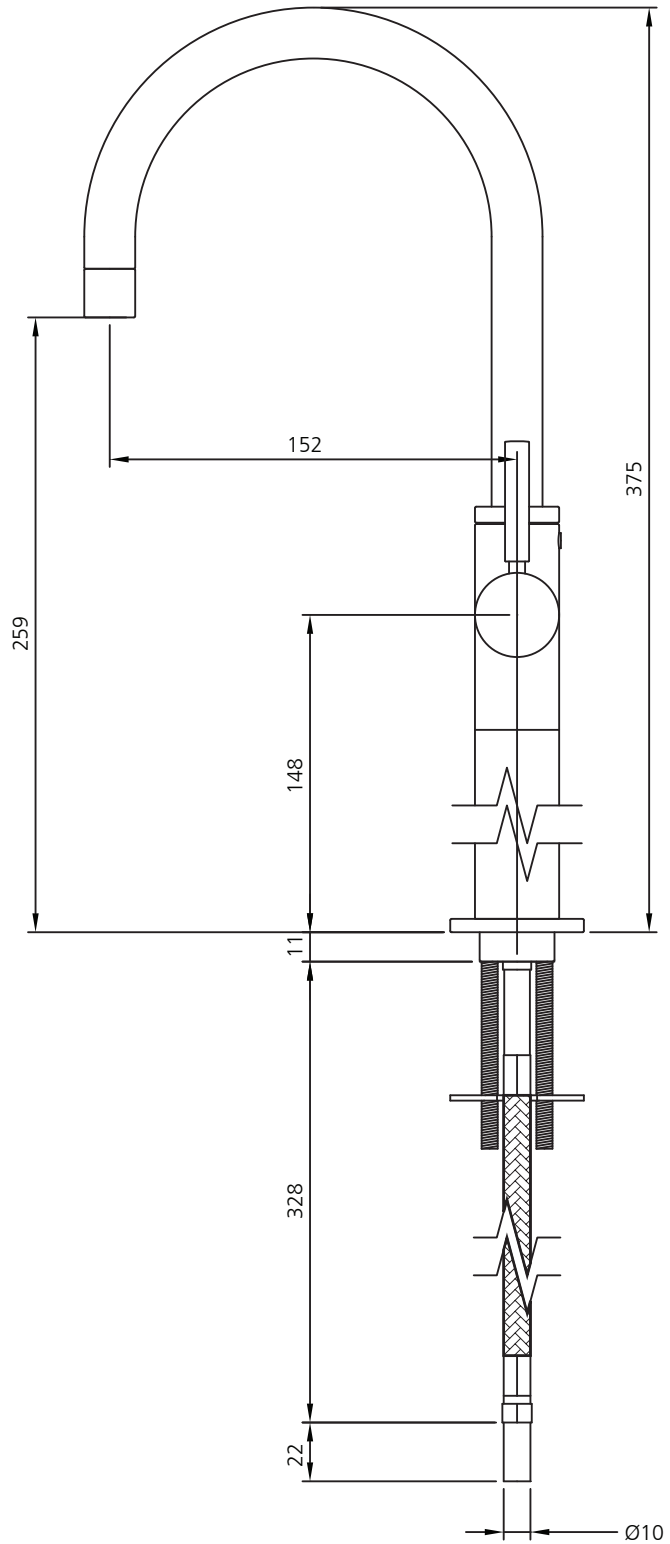
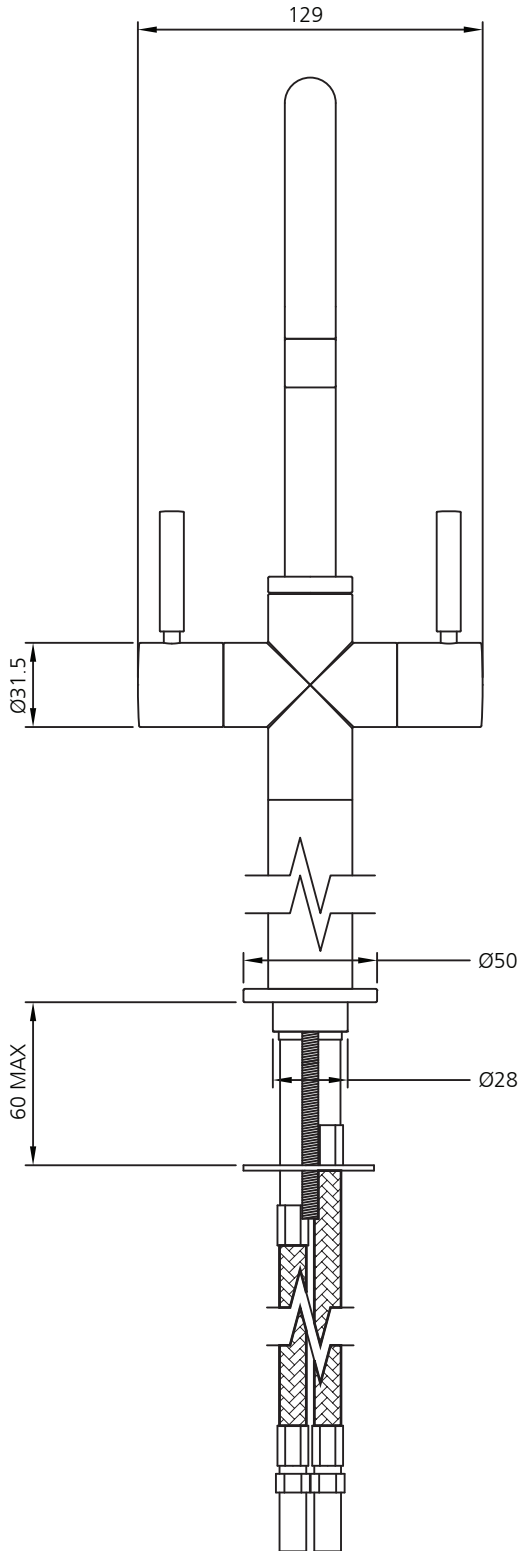
## XO-3055

ZU MONO - DECK MOUNTED - HIGH

### DIMENSIONAL DATA SHEET

DATE: 18 August 2010

NUMBER: 30 069 3055 C



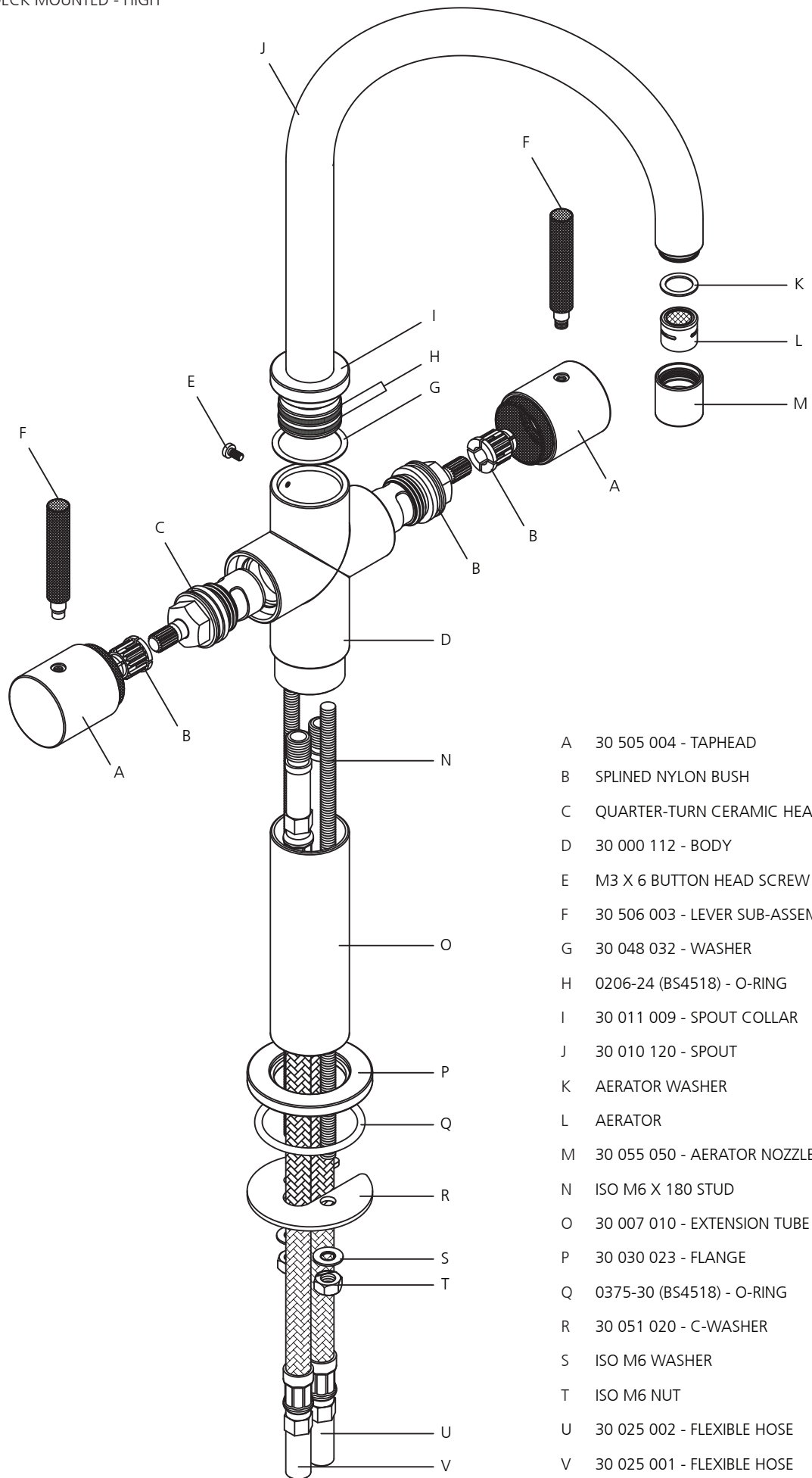
©COPYRIGHT 2001-2010. CHRISTO LEFROY BROOKS. ALL RIGHTS RESERVED.

DIMENSIONS IN MILLIMETRES

WHILST EVERY EFFORT IS MADE TO ENSURE THE ACCURACY OF THESE DATA SHEETS THEY ARE SUBJECT TO CHANGE WITHOUT NOTICE AS PART OF THE COMPANY'S PRODUCT DEVELOPMENT PROCESS

# XO-3055

ZU MONO - DECK MOUNTED - HIGH



- A 30 505 004 - TAPHEAD
- B SPLINED NYLON BUSH
- C QUARTER-TURN CERAMIC HEADWORK
- D 30 000 112 - BODY
- E M3 X 6 BUTTON HEAD SCREW
- F 30 506 003 - LEVER SUB-ASSEMBLY
- G 30 048 032 - WASHER
- H 0206-24 (BS4518) - O-RING
- I 30 011 009 - SPOUT COLLAR
- J 30 010 120 - SPOUT
- K AERATOR WASHER
- L AERATOR
- M 30 055 050 - AERATOR NOZZLE
- N ISO M6 X 180 STUD
- O 30 007 010 - EXTENSION TUBE
- P 30 030 023 - FLANGE
- Q 0375-30 (BS4518) - O-RING
- R 30 051 020 - C-WASHER
- S ISO M6 WASHER
- T ISO M6 NUT
- U 30 025 002 - FLEXIBLE HOSE
- V 30 025 001 - FLEXIBLE HOSE