



LEFROY BROOKS

IBROC HOUSE ESSEX ROAD
HODDESDON HERTS EN11 0QS UK
T: +44 (0)1992 708 316 F: +44 (0)1992 708 317

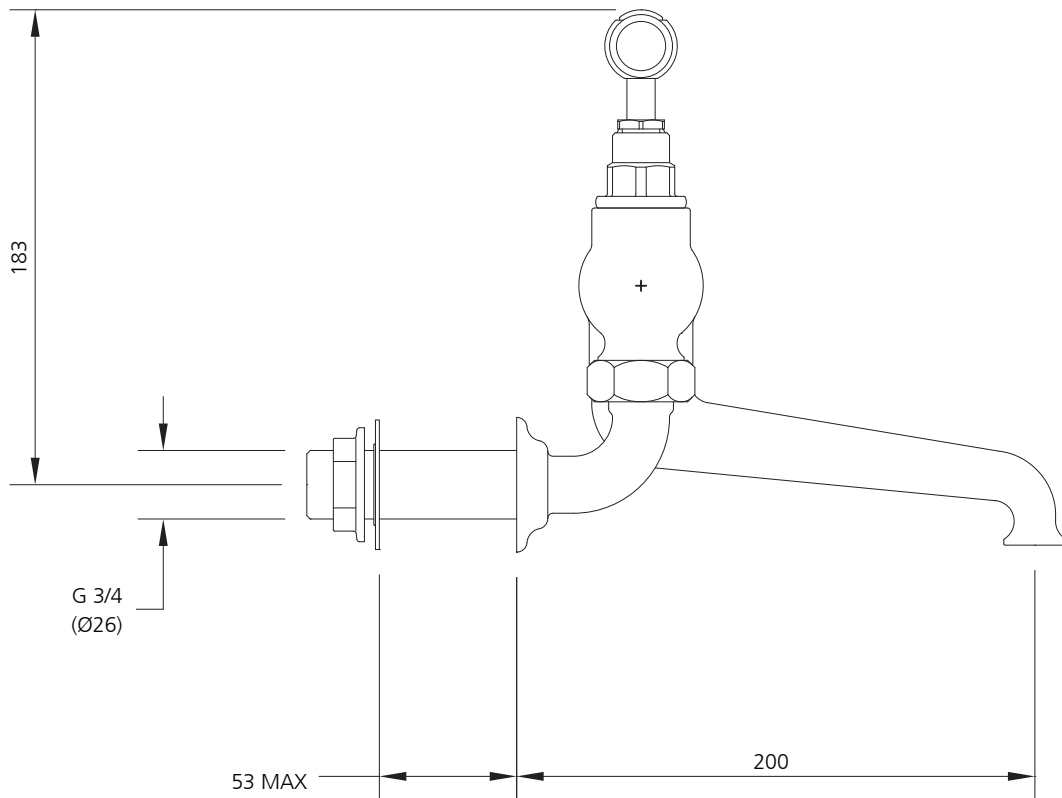
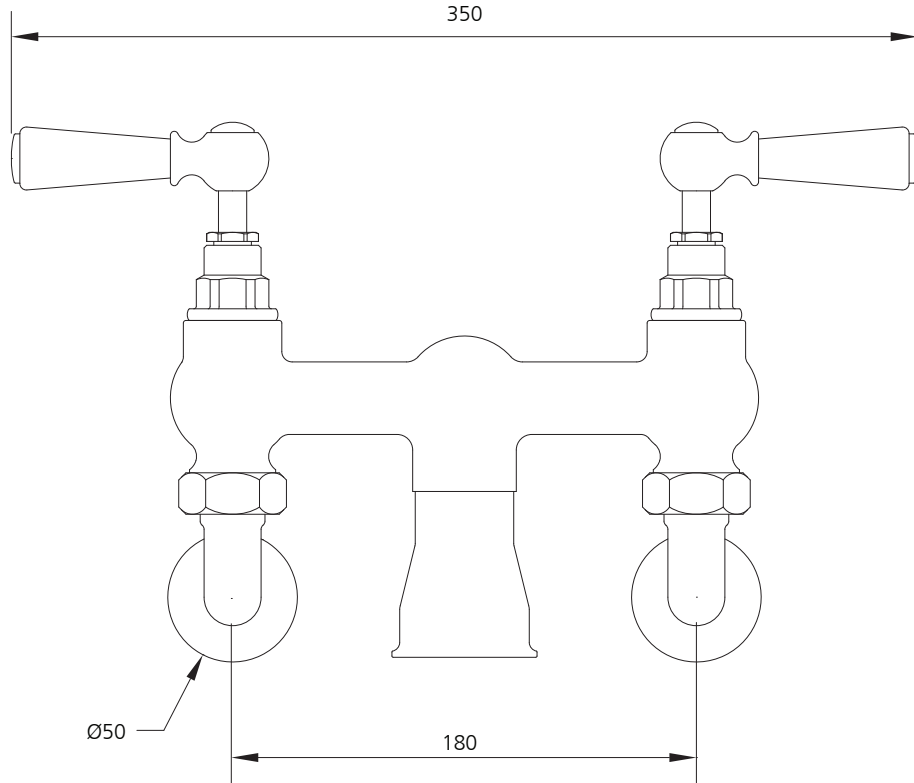
WL-1151

CLASSIC WHITE LEVER WALL MOUNTED BATH FILLER

DIMENSIONAL DATA SHEET

DATE: 2 August 2010

ISSUE: 012 A



DIMENSIONS IN MILLIMETRES

©COPYRIGHT 2010. CHRISTO LEFROY BROOKS. ALL RIGHTS RESERVED.